

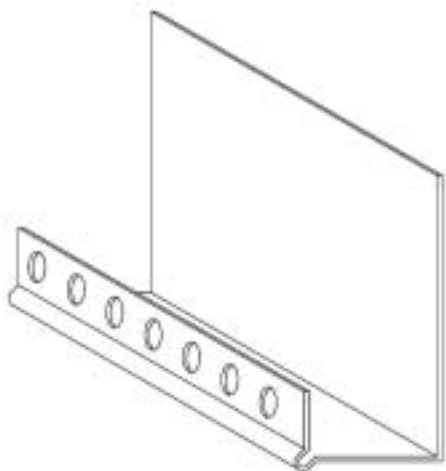


Specialist Architectural Coatings Flashings Catalogue

**WATTYL (NZ) LTD
2 PATIKI ROAD, AVONDALE, AUCKLAND
P.O. BOX 1545, AUCKLAND 1
FREE PHONE: 0800 928895
FREE FAX: 0800 500182**

Granosite / Nu-Age Componentry Catalogue

Nu-Therm Flashings V5 40mm



Nu-Therm V5 Foot Flashing (40mm) - Code GRANO3040

General Description

Utilised at the Base of the wall and at window heads for 40mm Nu-Therm System

Packaging

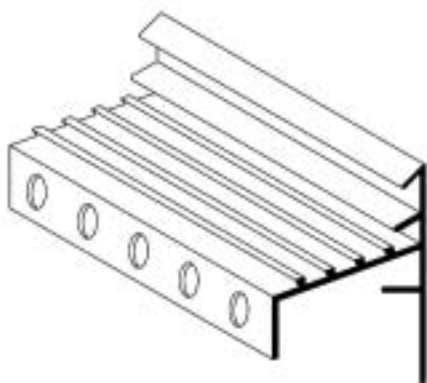
3.0 meter lengths - 20 per packet

Status

To be Discontinued May 2008

Additional Notes

This Unit can be used as a foot at the base of the wall and as a window head if desired



Nu-Therm V5 Sill Flashing (40mm) - Code GRANO1040

General Description

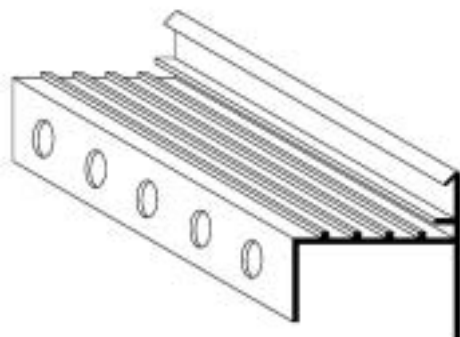
Utilised at window Sills only for 40mm Nu-Therm System

Packaging

3.0 meter lengths - 20 per packet

Status

To be Discontinued May 2008

Additional Notes

Nu-Therm V5 Jamb Flashing (40mm) - Code GRANO2040

General Description

Utilised up both window Jambs for 40mm Nu-Therm System

Packaging

3.0 meter lengths - 20 per packet

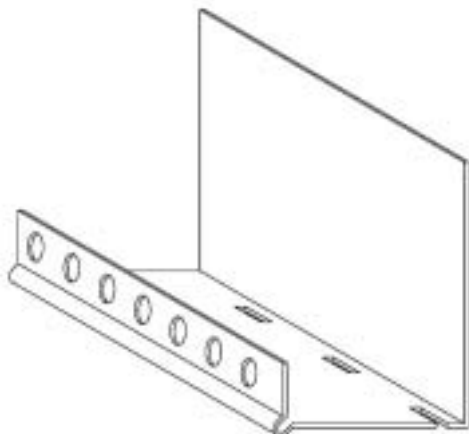
Status

To be Discontinued May 2008

Additional Notes

Granosite / Nu-Age Componentry Catalogue

Nu-Therm Flashings V5 60mm



Nu-Therm V5 Foot Flashing (60mm) - Code GRANO3060

General Description

Utilised at the Base of the wall and at window heads for 60mm Nu-Therm System

Packaging

3.0 meter lengths - 20 per packet

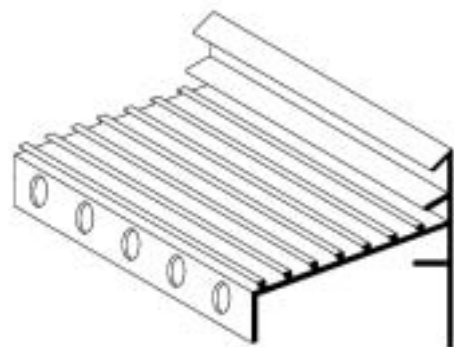
Status

To be Discontinued May 2008

Additional Notes

This Unit can be used as a foot at the base of the wall and as a window head if desired.

Also this unit may be used for 40mm Nu-Therm System incorporating the cavity closure and foot flashing into one unit.



Nu-Therm V5 Sill Flashing (60mm) - Code GRANO1060

General Description

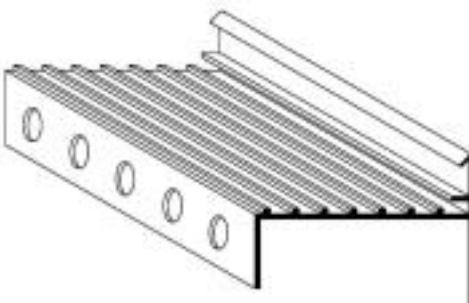
Utilised at window Sills only for 60mm Nu-Therm System

Packaging

3.0 meter lengths - 20 per packet

Status

To be Discontinued May 2008

Additional Notes

Nu-Therm V5 Jamb Flashing (60mm) - Code GRANO2060

General Description

Utilised up both window Jambs for 60mm Nu-Therm System

Packaging

3.0 meter lengths - 20 per packet

Status

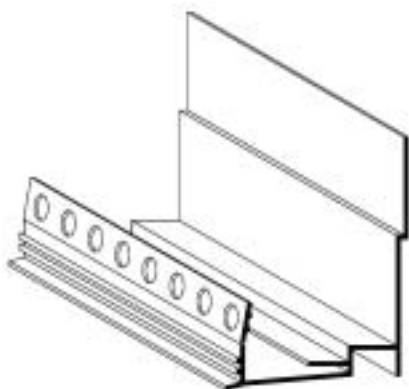
To be Discontinued May 2008

Additional Notes

May also be used on re-clads where the windows are not 20mm off the framing. Can accommodate 40mm polystyrene and 20mm cavity battens.

Granosite / Nu-Age Componentry Catalogue

Nu-Therm Flashings V6 40mm



Nu-Therm V6 Foot Flashing (40mm) - Code GRANO61595

General Description

Utilised at the Base of the wall and at window heads for 40mm Nu-Therm System

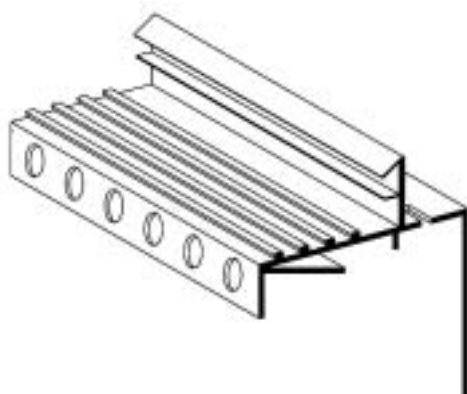
Packaging

3.0 meter lengths - 10 per packet

Status

Current until July 2008

Additional Notes



Nu-Therm V6 Sill Flashing (40mm) - Code GRANO61602

General Description

Utilised at window Sills only for 40mm Nu-Therm System

Packaging

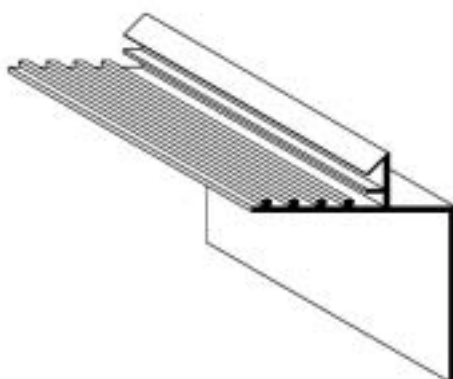
3.0 meter lengths - 10 per packet

Status

Current

Additional Notes

Minor mods to this unit to be released May 2008



Nu-Therm V6 Jamb Flashing (40mm) - Code GRANO61596

General Description

Utilised up both window Jambs for 40mm Nu-Therm System

Packaging

3.0 meter lengths - 20 per packet

Status

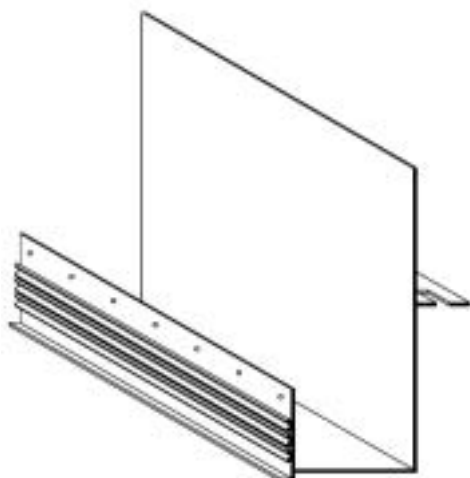
Current

Additional Notes

Minor mods to this unit to be released May 2008

Granosite / Nu-Age Componentry Catalogue

Nu-Therm Flashings V7 40mm



Nu-Therm V7 Foot Flashing (40mm) - Code GRANO74595

General Description

Utilised at the Base of the wall and at window heads for 40mm Nu-Therm System

Packaging

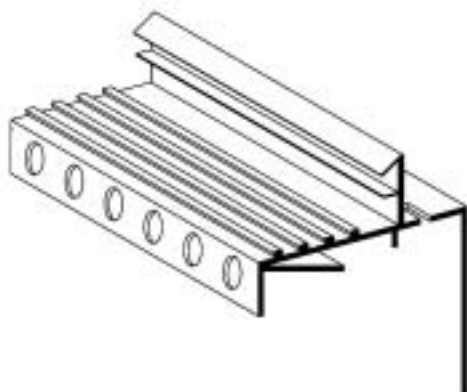
2.7 meter lengths - 20 per packet

Status

Released May 2008

Additional Notes

This Unit can be used as a foot at the base of the wall and as a window head if desired



Nu-Therm V7 Sill Flashing (40mm) - Code GRANO74602

General Description

Utilised at window Sills only for 40mm Nu-Therm System

Packaging

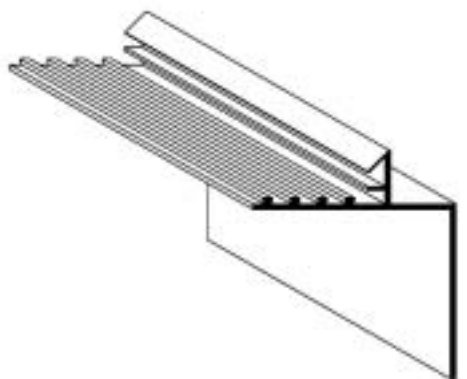
2.7 meter lengths - 20 per packet

Status

Current

Additional Notes

released May 2008



Nu-Therm V7 Jamb Flashing (40mm) - Code GRANO74596

General Description

Utilised up both window Jambes for 40mm Nu-Therm System

Packaging

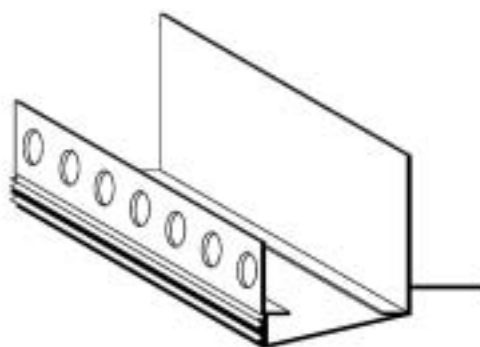
2.7 meter lengths - 20 per packet

Status

Current

Additional Notes

released May 2008



Nu-Therm V7 Head Flashing (40mm) - Code GRANO74600

General Description

Utilised at window Heads for 40mm Nu-Therm System

Packaging

2.7 meter lengths - 20 per packet

Status

Current

Additional Notes

released May 2008 - Also can be used on second storey cladding terminations

Granosite / Nu-Age Componentry Catalogue

Nu-Therm Flashings V7 60mm

Nu-Therm V7 Foot Flashing (60mm) - Code GRANO76595

General Description

Utilised at the Base of the wall and at window heads for 60mm Nu-Therm System

Packaging

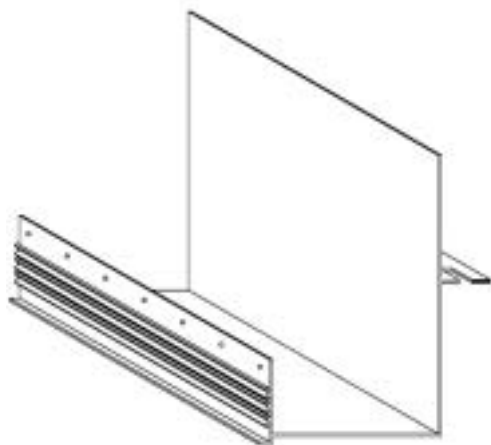
2.7 meter lengths - 20 per packet

Status

Released May 2008

Additional Notes

This Unit can be used as a foot at the base of the wall and as a window head if desired



Nu-Therm V7 Sill Flashing (60mm) - Code GRANO76602

General Description

Utilised at window Sills only for 60mm Nu-Therm System

Packaging

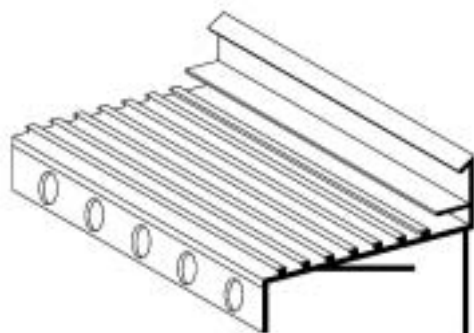
2.7 meter lengths - 20 per packet

Status

Current

Additional Notes

released May 2008



Nu-Therm V7 Jamb Flashing (60mm) - Code GRANO76596

General Description

Utilised up both window Jambes for 60mm Nu-Therm System

Packaging

2.7 meter lengths - 20 per packet

Status

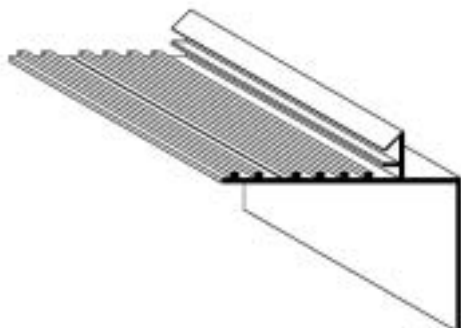
Current

Additional Notes

released May 2008

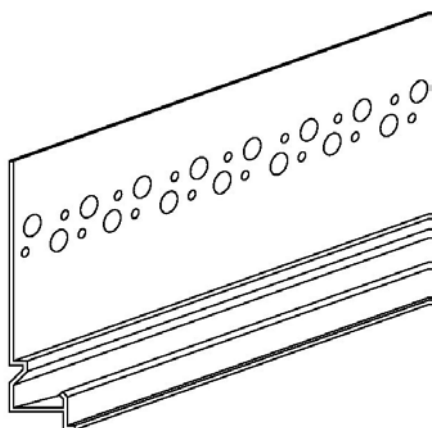
This Jamb has a snap off portion at 40mm. Portion can be snapped off and removed to accommodate Nu-Therm 40mm System if desired.

Also Cavity Portion can be snapped off and removed for Direct Fixed or Re-Clad jobs.



Granosite / Nu-Age Componentry Catalogue

Nu-Lite Flashings



Nu-Lite Starter Strip - Code GRANO3010

General Description

Utilised at the Base of the wall and at window heads for the Nu-Lite System

Packaging

3.0 meter lengths - 20 per packet

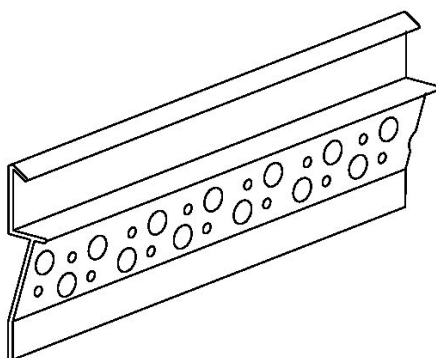
Status

Original and Current

Additional Notes

This Unit can be used as a foot at the base of the wall and as a window head if desired.

When used at the base of the wall and Head Locations the Nu-Lite Starter Strip must be installed with the Fibre Cement Sheet, usually fitted by the builder.



Nu-Lite Sill Flashing - Code GRANO1010

General Description

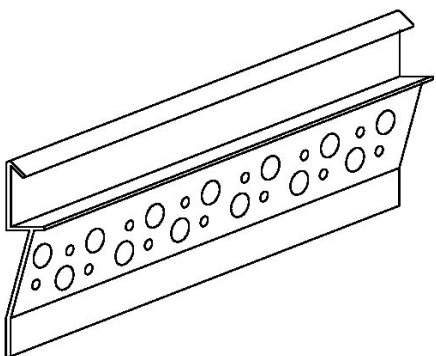
Utilised at window Sills only for Nu-Lite System

Packaging

3.0 meter lengths - 20 per packet

Status

Original and Current

Additional Notes

Nu-Lite Jamb Flashing - Code GRANO2010

General Description

Utilised up both window Jambs for Nu-Lite System

Packaging

3.0 meter lengths - 20 per packet

Status

Original and Current

Additional Notes

Granosite / Nu-Age Componentry Catalogue

Corner Beads

APE Stainless Steel Corner Bead - Code GRANO9010

General Description

Utilised at all External Corner Locations for the Nu-Lite and Nu-Solid System. APE Corner Beads are pre-sealed to protrude 10mm from the face of the wall in both directions.

Packaging

2.95 meter lengths - 40 per Box

Status

Original and Current

Additional Notes

APAE Stainless Steel Corner Bead - Code GRANO9020

General Description

Utilised at window Reveal Locations normally for Nu-Solid System

Packaging

2.95 meter lengths - 40 per Box

Status

Original and Current

Additional Notes

The APAE Stainless Steel Corner Bead has one short leg and one long leg to accommodate 10mm thickness on one side of the corner and 5mm thickness on the other side of the corner. Can also be utilised for standard external Corners if Required.

Pre Meshed Corner Bead - Code GRANO9030

General Description

Utilised at external corner locations for Nu-Therm and Nu-Render System

Packaging

2.95 meter lengths - 50 per packet

Status

Original and Current

Additional Notes

In some cases Pre-meshed Corner Beads may be used around window reveals or other areas where corner reinforcement is required.

Granosite / Nu-Age Componentry Catalogue

Universal Flashings

COEX Flashing - Code GRANOCOEX



General Description

This COEX Flashing has a rubber section which allows the unit to bend in a 180° Range Making it ideal for Alternative Window details at both Jamb and Sill locations.

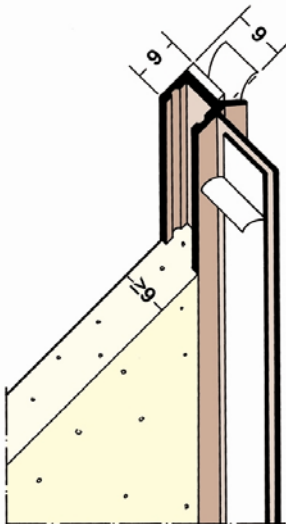
Packaging

3.0 meter lengths - 20 per packet

Status

Original and Current

Additional Notes



3712 Adhesion Profile - Code.....

General Description

Utilised at window Jamb on Rendered Brick and Block Jobs primarily

Packaging

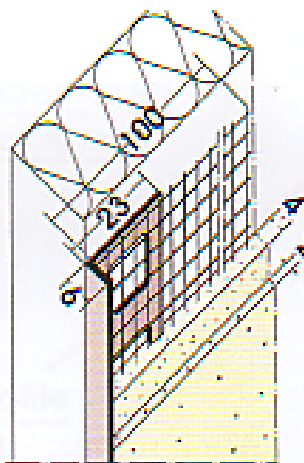
2.95 meter lengths - 40 per packet

Status

Released August 2008

Additional Notes

This self adhering profile is suitable for AAC and standard masonry Jamb situations. It also has a removable strip for the masking tape and film which is removed upon completion.



6mm Render Stop - Code GRANO03796

General Description

Utilised at the base of the wall or wherever a plaster termination point is required.

Packaging

2.95 meter lengths - 50 per packet

Status

Current

Additional Notes

Ideal for Rendered Brock and Block Jobs but can be used for many situations where 6-8mm plaster is being used.