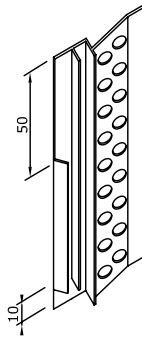
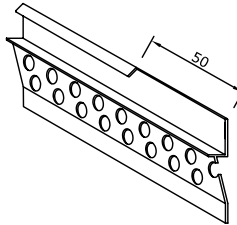


**TRIMMING INSTRUCTIONS**

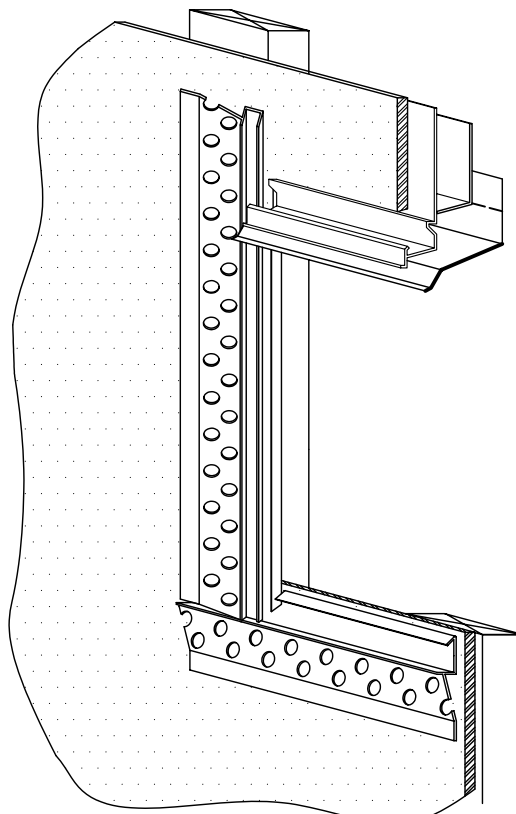
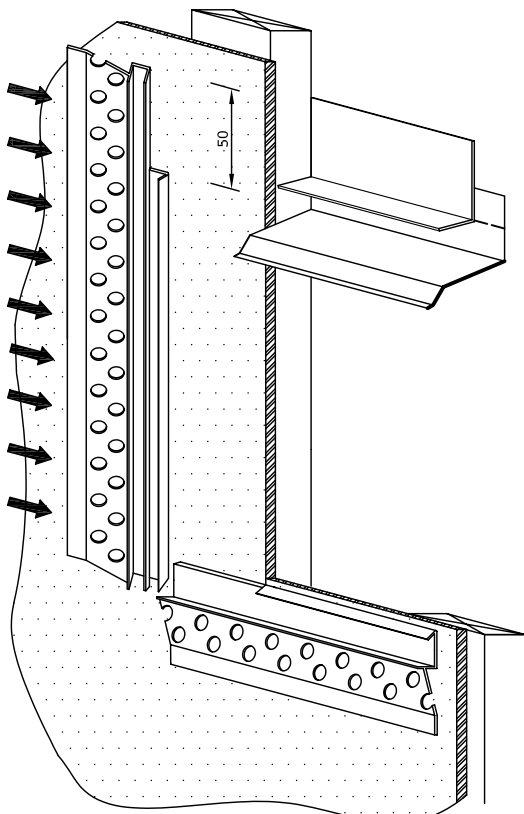
**STEP 1**

REMOVE WEATHERGROOVE  
PORTION OF SILL FLASHING  
50MM FROM EACH  
INTERSECTION END



**STEP 2**

REMOVE WEATHERGROOVE  
AND DEPTH STOP PORTIONS  
OF FLASHING 50MM FROM  
TOP OF INTERSECTION END  
AND 10MM FROM BOTTOM OF  
INTERSECTION END



**ONCE FLASHINGS ARE INSTALLED SEAL  
ALL INTERSECTIONS**