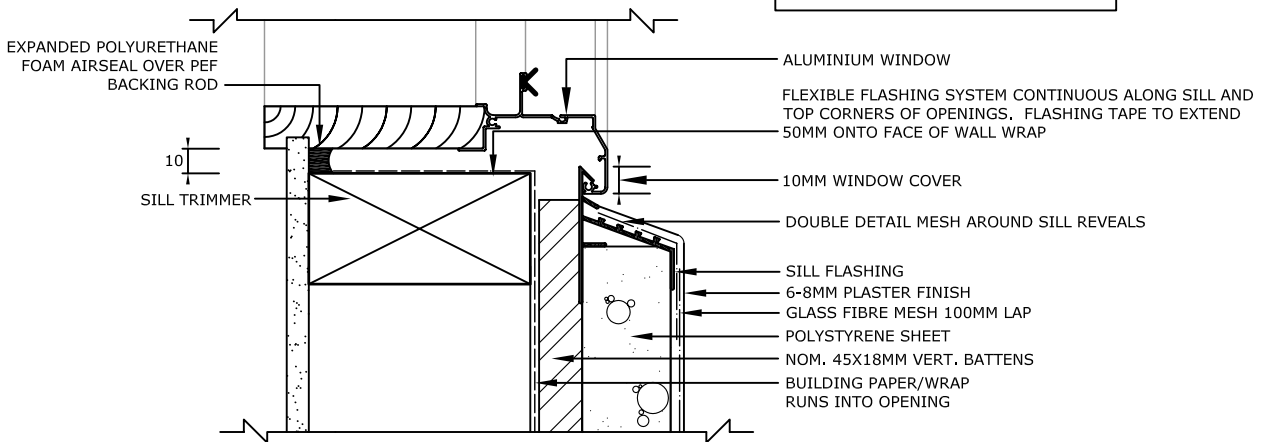


NOTE: A 3-5MM GAP IS TO MAINTAINED FROM THE FACE OF THE CAVITY BATTEN TO THE INSIDE OF THE ALU. JOINERY PROFILE TO FIT FLASHINGS



NOTE: A SLOPED SILL TRIMMER IS REQUIRED WHEN THE GLAZING POCKET OF THE WINDOW/DOOR FRAME IS POSITIONED BACK PAST THE LINE OF THE WALL FRAME. A FLAT SILL TRIMMER MAY BE USED IN ALL OTHER CIRCUMSTANCES. REFER TO WINDOW MANUFACTURERS FOR METHOD OF FIXING SUPPORT.