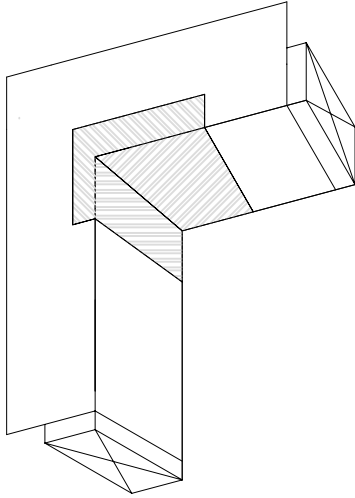


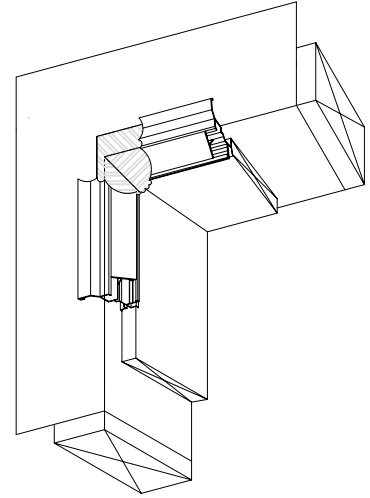
NOTE:
There are sealing requirements where
flashing junction occurs - See Text Portion

Nutherm™

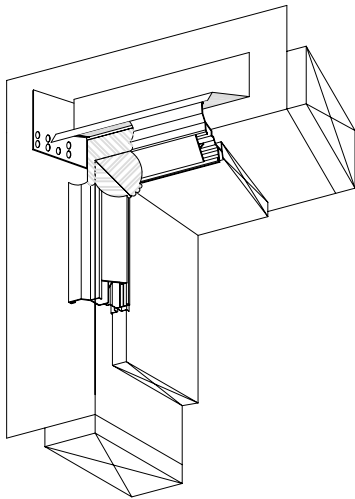
Cladding Solution



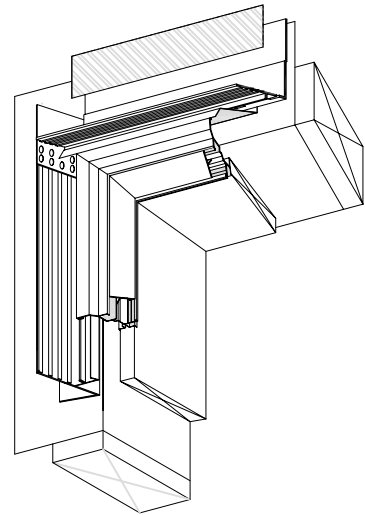
**02 - 1 FRAMING, WRAP AND
FLASHING TAPE SYSTEM**



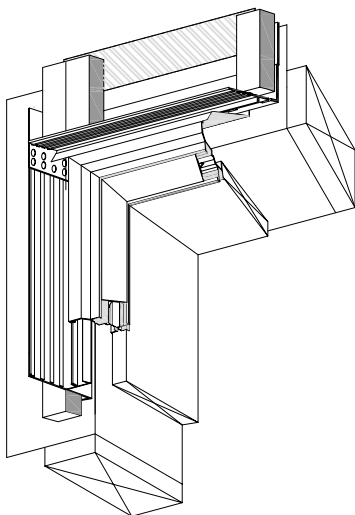
**02 - 2 JOINERY 23-25MM
OFF FRAMING**



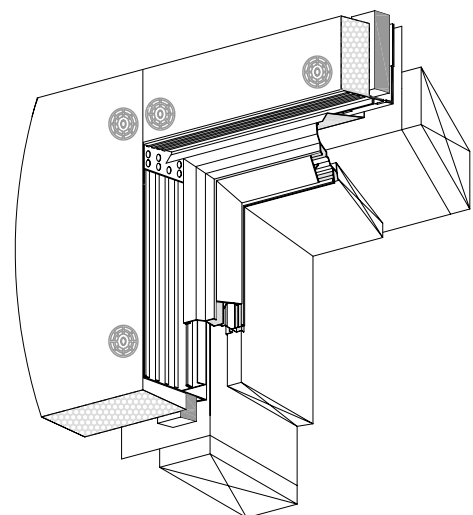
**02 - 3 ALU. HEAD FLASHING (5mm
Overhang each end) AND HEAD
FLASHING CAPPING INSTALLED**



02 - 4 HEAD (OR FOOT) THEN JAMB INSTALLED



02 - 5 CAVITY BATTENS



02 - 6 EPS AND FIXINGS