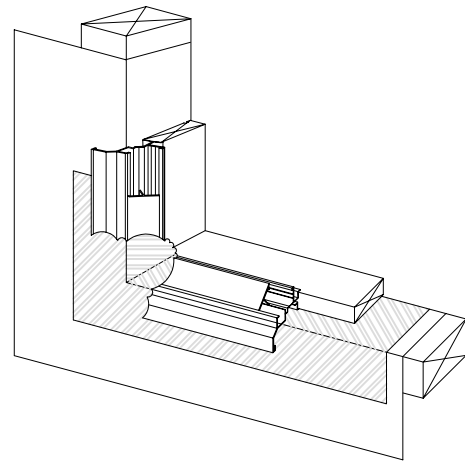
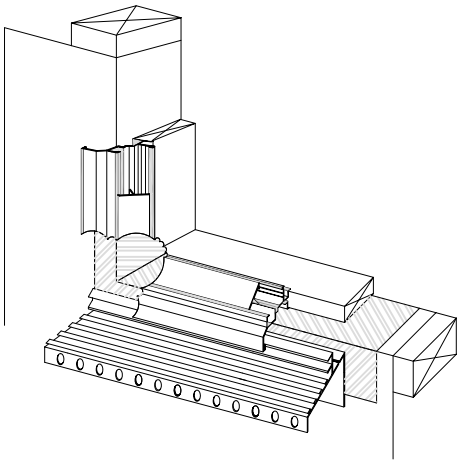


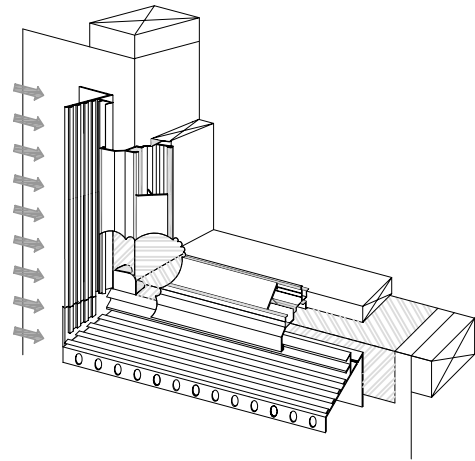
01 - 1 FRAMING, WRAP AND FLASHING TAPE SYSTEM



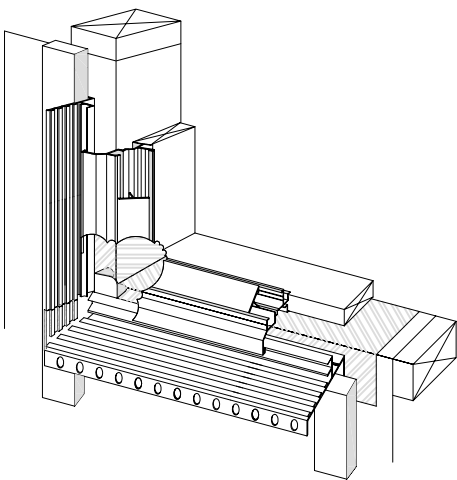
01 - 2 JOINERY BACK OF FLANGE  
23-25MM OFF FRAMING



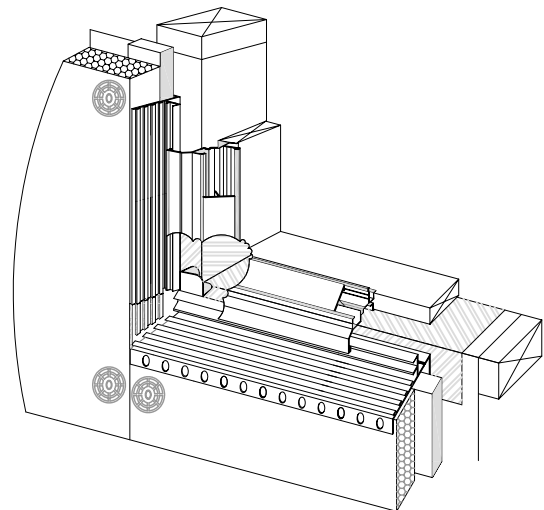
01 - 3 INSTALL SILL  
FLASHING AND FIX



01 - 4 INSTALL JAMB FLASHING  
AND ATTACHED CORNER SOAKER



01 - 5 CAVITY BATTENS



01 - 6 EPS AND FIXINGS

**NOTE:**  
There are sealing requirements where  
flashing junction occurs - See Text Portion