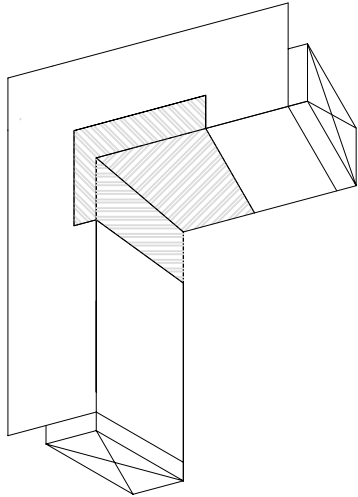
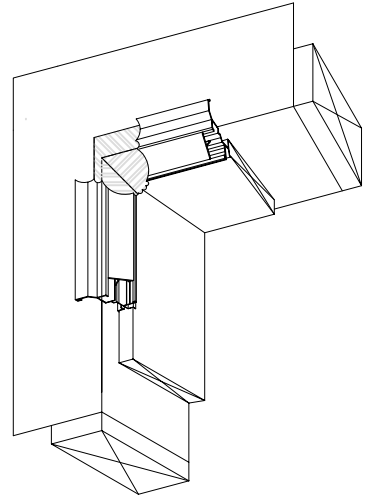


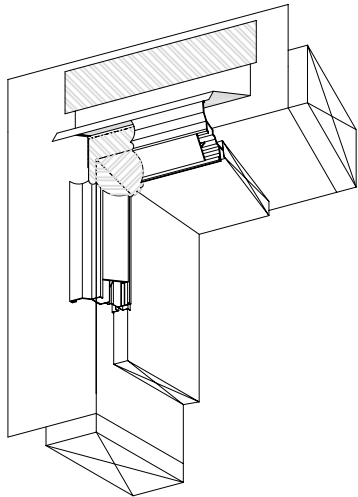
NOTE:
 There are sealing requirements where flashing junction occurs - See Text Portion



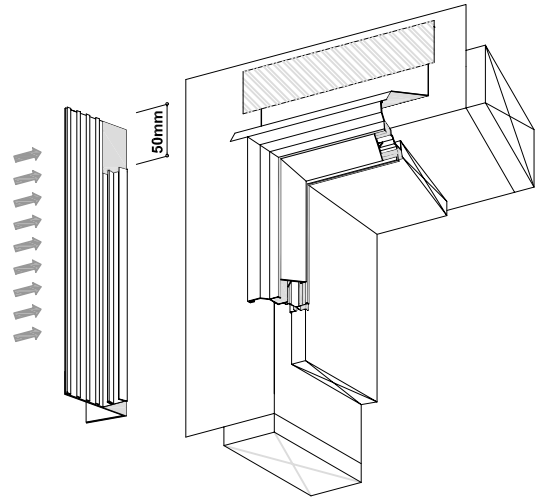
02 - 1 FRAMING, WRAP AND FLASHING TAPE SYSTEM



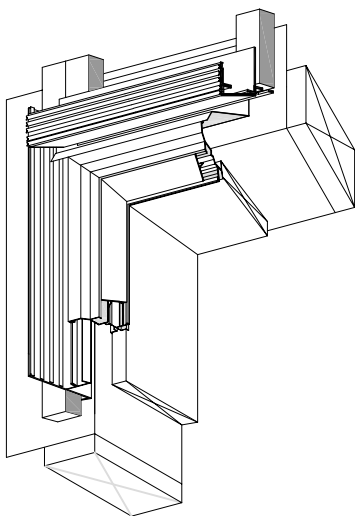
02 - 2 JOINERY 23-25MM OFF FRAMING



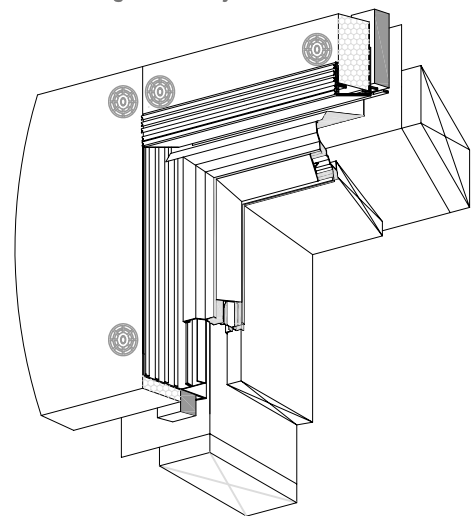
02 - 3 ALU. HEAD FLASHING (flush with window width) and taped



02 - 4 JAMB INSTALLED
 Cut and remove (shown portion) of Jamb Flashing 50mm from top to fit into Alu. Head Flashing and seal junction.



02 - 5 CAVITY BATTENS and Head Capping installed.
 Note: Head Capping may be installed following EPS application at Head.



02 - 6 EPS AND FIXINGS